

MX SELF-CLEANING FILTERING HEADS

Large areas, higher efficiency, less
maintenance



GESTIRIEGO



FILTRATION

MX SELF-CLEANING FILTERING HEADS

GESTIRIEGO innovates with its **MX FILTER** disk filtering equipment, which defines a new concept regarding filtering systems. It incorporates a disk system that completely differs from conventional designs, providing the equipment with a larger filtering area and the possibility of self-cleaning without internal mechanisms to separate the disks.

The MX FILTER self-cleaning heads are modular pieces of equipment adaptable to any working flow rate. According to the specific needs, 2" or 3" units are available.

Its simple components minimise maintenance and wear parts, ensuring high reliability and safety for the most demanding systems.



FEATURES

- ✓ Disks with a large filtering area
- ✓ Backwashing that does not require to separate the disks
- ✓ 3-way models for backwashing using simple valves
- ✓ Low maintenance and high reliability
- ✓ Can be installed individually or in set
- ✓ Manual or semi-automatic cleaning
- ✓ Wide range of models



RECOMMENDED FLOW RATES ACCORDING TO WATER QUALITY	120 mesh					150 mesh			
	UNITS	WATER QUALITY			CODE	WATER QUALITY			CODE
		HIGH (well)	MEDIUM (reservoir)	LOW (channel)		HIGH (well)	MEDIUM (reservoir)	LOW (channel)	
2"	2 ud.	50 m ³	40 m ³	30 m ³	450842	45 m ³	36 m ³	27 m ³	450843
	3 ud.	75 m ³	60 m ³	45 m ³	450845	67'5 m ³	54 m ³	40'5 m ³	450846
	4 ud.	100 m ³	80 m ³	60 m ³	450847	90 m ³	72 m ³	54 m ³	458116
	5 ud.	125 m ³	100 m ³	75 m ³	458134	112'5 m ³	90 m ³	67'5 m ³	458133
	6 ud.	150 m ³	120 m ³	90 m ³	450849	135 m ³	108 m ³	81 m ³	458118
	3"	2 ud.	70 m ³	50 m ³	36 m ³	461095	63 m ³	45 m ³	32'4 m ³
3 ud.		105 m ³	75 m ³	54 m ³	461114	94'5 m ³	67'5 m ³	48'6 m ³	461120
4 ud.		140 m ³	100 m ³	72 m ³	460146	126 m ³	90 m ³	64'8 m ³	461021
5 ud.		175 m ³	125 m ³	90 m ³	461022	157'5 m ³	112'5 m ³	81 m ³	461025
6 ud.		210 m ³	150 m ³	108 m ³	461026	189 m ³	135 m ³	97'2 m ³	461027
7 ud.		245 m ³	175 m ³	126 m ³	461023	220'5 m ³	157'5 m ³	113'4 m ³	461024
8 ud.		280 m ³	200 m ³	144 m ³	459417	252 m ³	180 m ³	129'6 m ³	461020



PARTS AND MATERIALS



PARTS AND MATERIALS		
	NAME	MATERIAL
1	Body	PA
2	Filtering element	HDPE+PA
3	O-ring	NBR
4	Clamp	SST
5	Base	PA

OPERATION

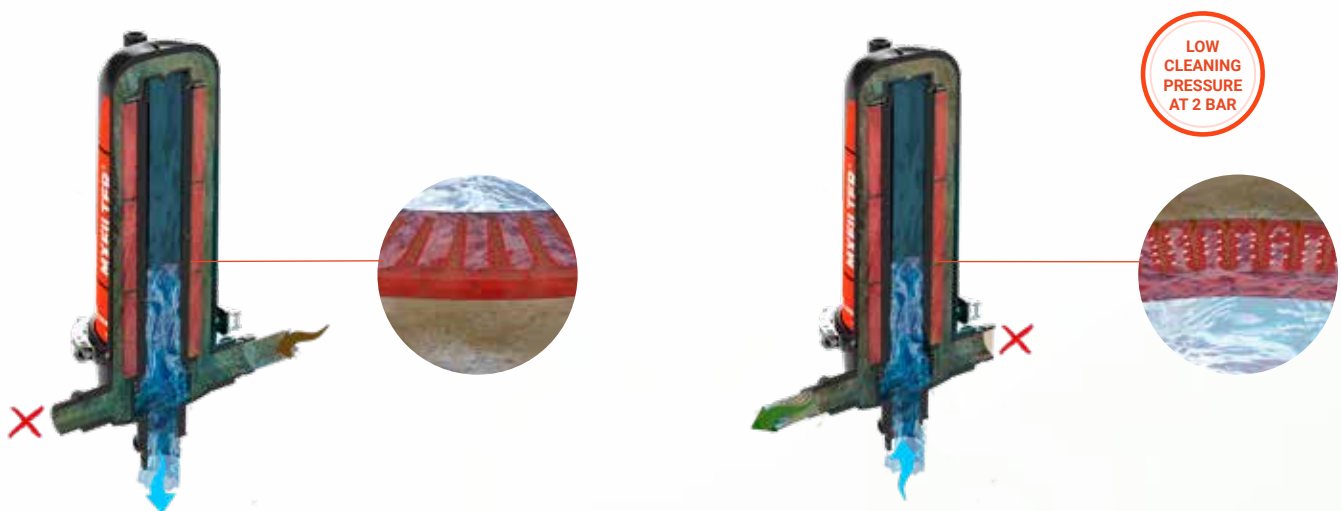
ORIENTED DISKS WITH A LARGE FILTERING AREA

FILTERING

It occurs when dirty water enters through the channels that have S-shaped disks on that side (inlet channels) and flows into adjacent channels (outlet channels). The dirt is retained by the concentric disks in the inlet channels and the clean water flows into the filtering element.

CLEANING

It occurs when a pressure difference is detected between the dirty water flow and the clean water flow caused by a clogging in the filtering element (cartridge of disks). Then, the direction of the clean water flow is reversed, descaling the dirt accumulated in the unfiltered water channel and releasing it.

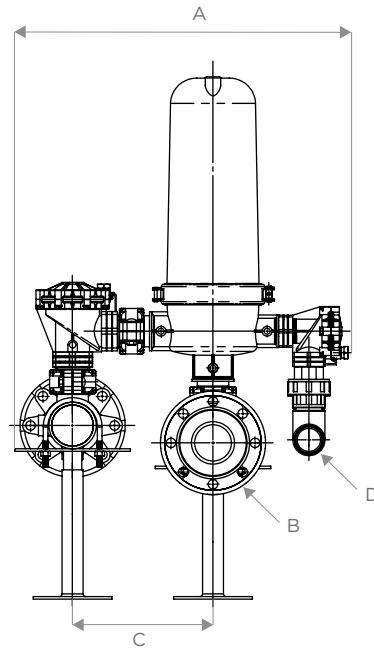
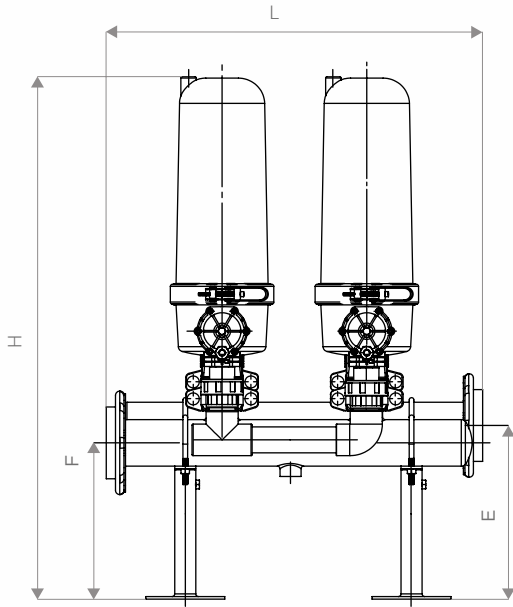


Models with a **3-way base** have been specially designed to be installed in **equipment with semi-automatic cleaning systems**.

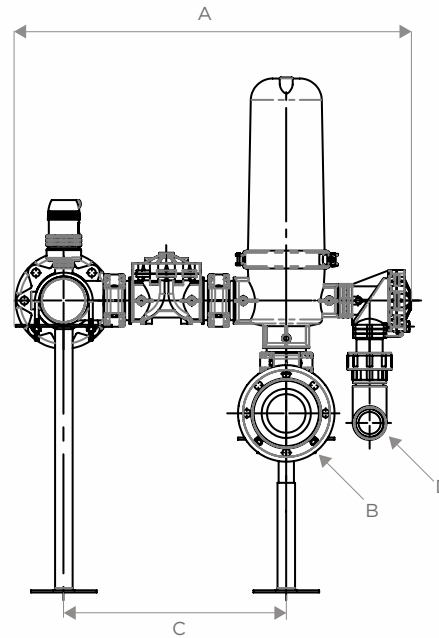
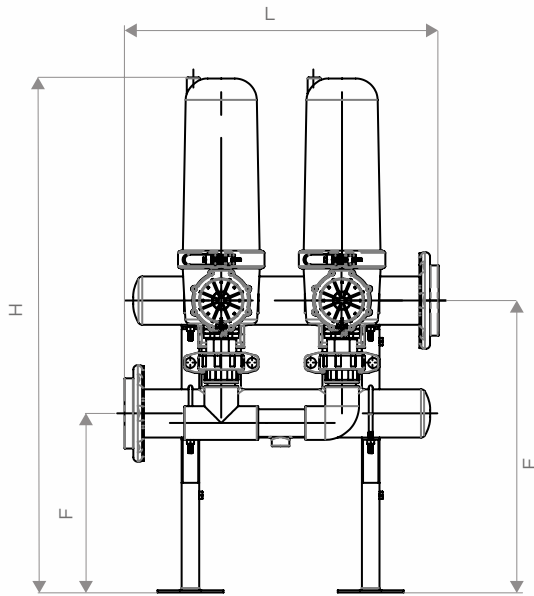
- The base consists of a dirty water inlet (2" or 3" depending on the model), a perpendicular outlet of the same size as the inlet, and a service socket (1-1/2" or 2" depending on the model) designed to fit a cleaning discharge valve.
- Thanks to the 3-way settings, the filter base can also act as a backwash valve, thus facilitating operation by using simple valves on the inlet and service socket.

TECHNICAL DATA

2"



3"



SIZES

U.	HEIGHT (H)	WIDTH (A)	LENGTH (L)	HEIGHT 1 (E)	HEIGHT 2 (F)	EQUIDISTANCE (C)	DRAIN OUTLET SIZES (D)	FLANGES (B)	
	mm	mm	mm	mm	mm	mm		DN	
2"	2	1.010	635	715	336	302	267	Ø 50	DN 80 (PN10)
	3	1.035	635	929	349	315	267	Ø 50	DN 100 (PN10)
	4	1.035	635	1.065	349	315	267	Ø 50	DN 100 (PN10)
	5	1.035	635	1.480	349	315	267	Ø 50	DN 100 (PN10)
	6	1.060	635	1.795	374	340	267	Ø 50	DN 150 (PN10)
	3"	2	1.175	905	715	665	408	507	Ø 63
3		1.175	905	930	665	408	507	Ø 63	DN 100 (PN10)
4		1.200	945	1.085	690	425	515	Ø 75	DN 150 (PN10)
5		1.200	945	1.480	690	425	515	Ø 75	DN 150 (PN10)
6		1.200	945	1.795	690	425	515	Ø 75	DN 150 (PN10)
7		1.220	1.006	1.090	710	408	552	Ø 75	DN 200 (PN16)
8		1.220	1.006	2.356	710	408	552	Ø 75	DN 200 (PN16)



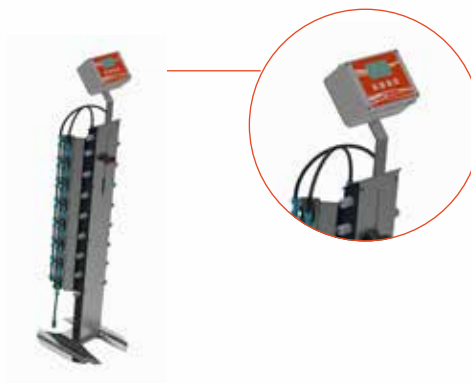
CONTROL UNITS

They have a fully configurable filter cleaning timer with a differential pressure switch and the necessary components to activate the valve and piston when the washing cycle starts.

Option to control up to 8 filters with the same timer unit, recommended for filter set systems.

They have a general valve output that is activated during the whole cleaning cycle and is perfect to control shut-off valves, support pump starts, fertilisation stops, etc.

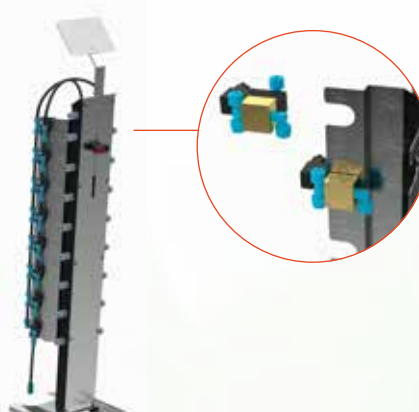
CONTROL UNIT WITH TIMER		
DESCRIPTION	CODE 24V	12V CODE
2 outlets	460900	460998
3 outlets	460899	460996
4 outlets	460898	460994
5 outlets	460896	460992
6 outlets	460893	460990
7 outlets	461012	461014
8 outlets	461013	461015

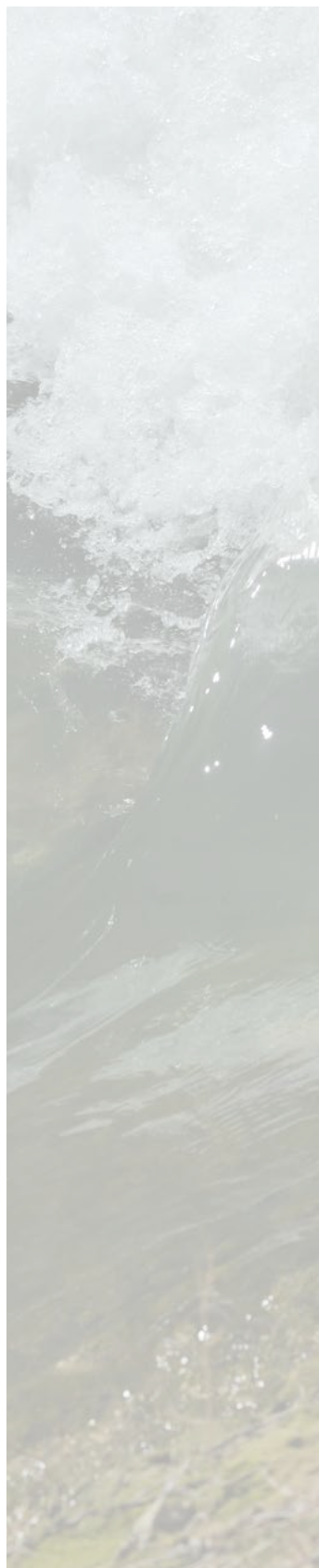
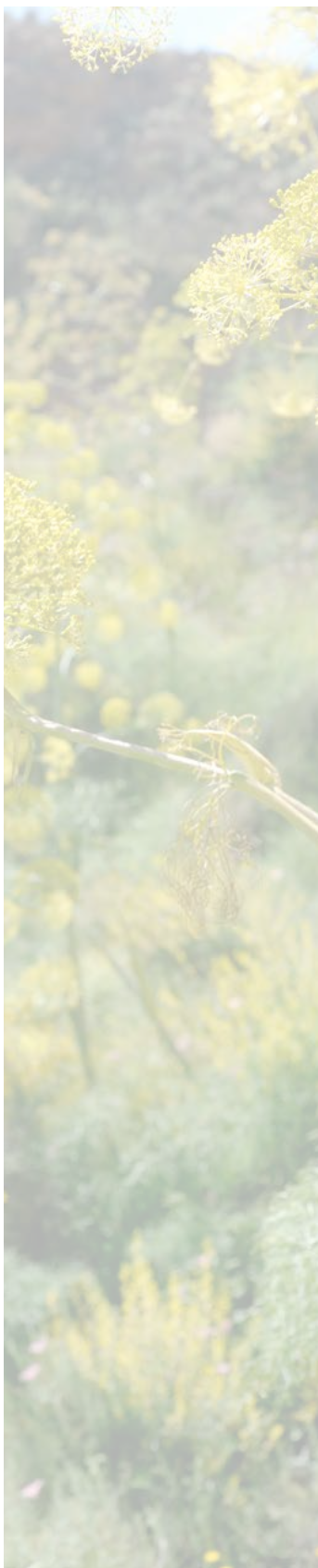


CONTROL UNIT WITH BATTERY TIMER (POWERED BY BATTERIES)	
DESCRIPTION	CODE
2 outlets	460999
3 outlets	460997
4 outlets	460995
5 outlets	460993
6 outlets	460991
7 outlets	461016
8 outlets	461017



CONTROL UNIT WITHOUT TIMER	
DESCRIPTION	CODE
2 outlets	460978
3 outlets	460979
4 outlets	460980
5 outlets	460981
6 outlets	460983
7 outlets	461018
8 outlets	461019





info@gestiriego.com
(+34) 968 658 326
Paraje Vistabella s/n 30892
Librilla, Murcia. ESPAÑA

www.gestiriego.com

Creando los caminos
del agua

